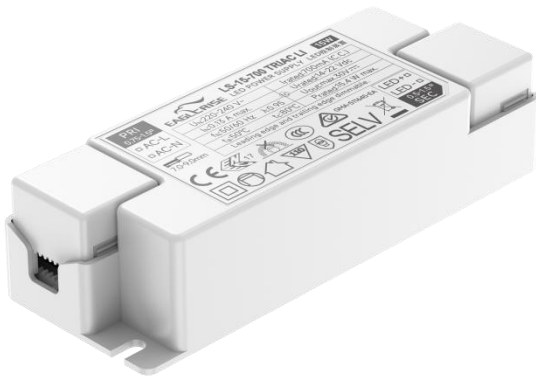


15W Triac Dimming power supply



■ Approve



Features

- Class II, SELV, independent
- Input Voltage: 220-240VAC
- Protections: SCP/OLP/OVP
- Power Factor: 0.95
- Efficiency: 82%
- 5 years warranty
- IP20

Applications

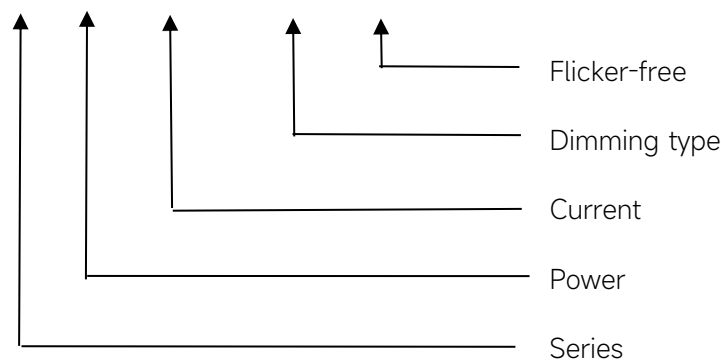
- LED panel, LED down light
- LED spot light

◆ Description

LS-15-XXX TRIAC LI is a 15W constant current LED driver that operates from 198-264Vac input with 300-700mA output current. With it's compact dimensions from 116 x 42.5 x 28mm it is easy to integrate in LED panel, pendant light and down light products. To ensure trouble-free operation, protection is provided against output short circuit and over Load.

◆ Model code

LS-15-XXX TRIAC LI



◆ Specification

Output	Constant Current (mA)	250mA	300mA	700mA
	Voltage Range(VDC)	35-50V	27-42V	14-22V
	Unload voltage Max.(VDC)	59V	53V	30V
	Current Accuracy	±5%			
	Output HF current ripple(≥1KHz)	±5%			
	Output LF current ripple(≤120Hz)	±5%			
	SVM	<0.4			
	P _{st}	<1			
	Efficiency(Typ.)	≥82%@Full Load,230VAC			
Input	Rated input voltage(VAC)	220-240VAC			
	Range of input voltage(VAC)	198-264VAC			
	Frequency(Hz)	50/60 Hz			
	Displacement factor	≥0.9			
	Power Factor	0.95±0.05			
	Input Current max	0.13A MAX.			
	Start-up time	< 0.5S			
	No Load Power	≤1W			
	THD (Typ.)	< 25% @Full Load,230VAC			
Dimming	Dimming	YES			
	Dimming mode	Triac, Leading edge & trailing edge dimmable			
	Dimming depth	10%			
	Dimming current range	10 ~ 100%			
Protection	Over Load Protection	103-120% YES/Latch off			
	Over Voltage Protection	>59VDC	>53VDC	...	>30VDC
	Short circuit Protection	YES/Latch off			
Environment	Operating Temperature	-20°C...+50°C			
	Humidity	20%-90%RH			
	Tc	80°C			
	Storage Temperature	-20°C...+60°C			
	Life time	> 30,000h@ta=50°C			
Surface	Dimension	116X42.5X28 (LXWXH)mm			
standards	EN 61347-1,EN 61347-2-13;GB 19510.1,GB 19510.14;EN 62384;EN IEC 55015,EN IEC 61000-3-2,EN 61000-3-3;GB/T 17743,GB 17625.1;EN 61547				
Others	ErP	EU 2019/2020			

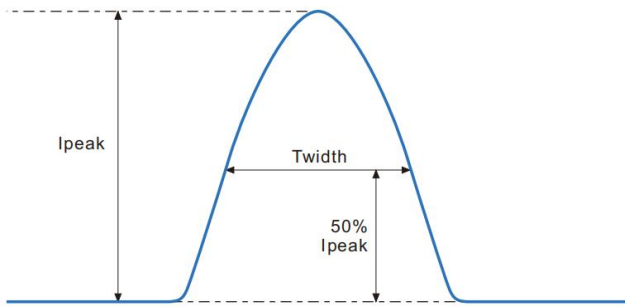
	RoHS	RoHS (2011/65/EU) (EU)2015/863
Note	1.All parameters NOT specially mentioned are measured at 230VAC input , full load and 25°C of ambient temperature. 2.Ripple & Noise are measured at 20MHz of bandwidth by using a 300mm twisted pair-wire terminated with a 0.1uF & 47 uF parallel capacitor.	

◆ Model list

No	Model number	Input		Output			Max. Prated(W)
		Voltage (VAC)	Max.Current (A)	Constant current (mA)	Normal working voltage (VDC)	No load working voltage (VDC)	
1	LS-15-300 TRIAC LI	220-240	0.13	300	35-50	59	15
2	LS-15-350 TRIAC LI	220-240	0.13	350	27-42	53	14.7
3	LS-15-400 TRIAC LI	220-240	0.13	400	25-38	48	15.2
4	LS-15-450 TRIAC LI	220-240	0.13	450	22-33	43	14.9
5	LS-15-500 TRIAC LI	220-240	0.13	500	20-30	39	15
6	LS-15-550 TRIAC LI	220-240	0.13	550	17-27	35	14.9
7	LS-15-600 TRIAC LI	220-240	0.13	600	16-25	33	15
8	LS-15-650 TRIAC LI	220-240	0.13	650	16-23	31	15
9	LS-15-700 TRIAC LI	220-240	0.13	700	14-22	30	15.4

◆ Inrush Current

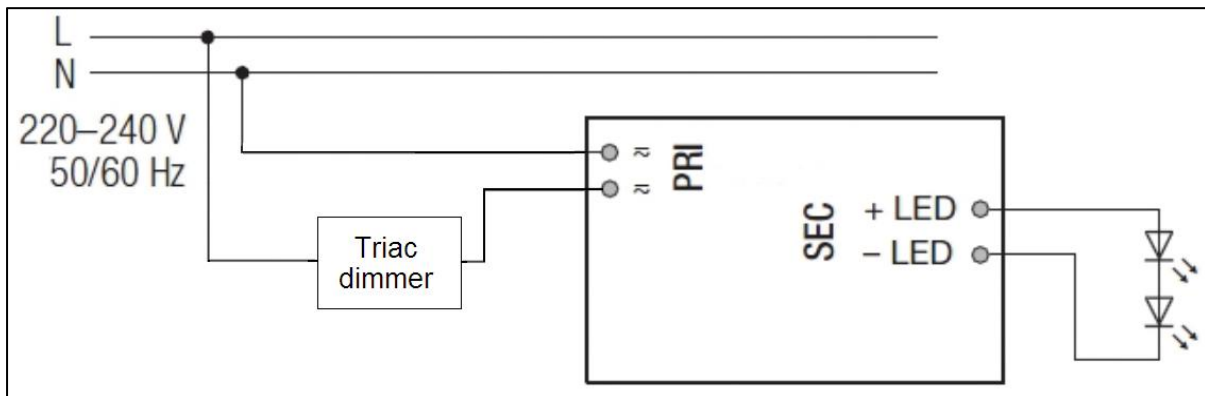
I ^{peak}	T ^{width}	B10	B16	B20	C10	C16	C20
1.17A	46μs	61pcs	98pcs	123pcs	61pcs	98pcs	123pcs

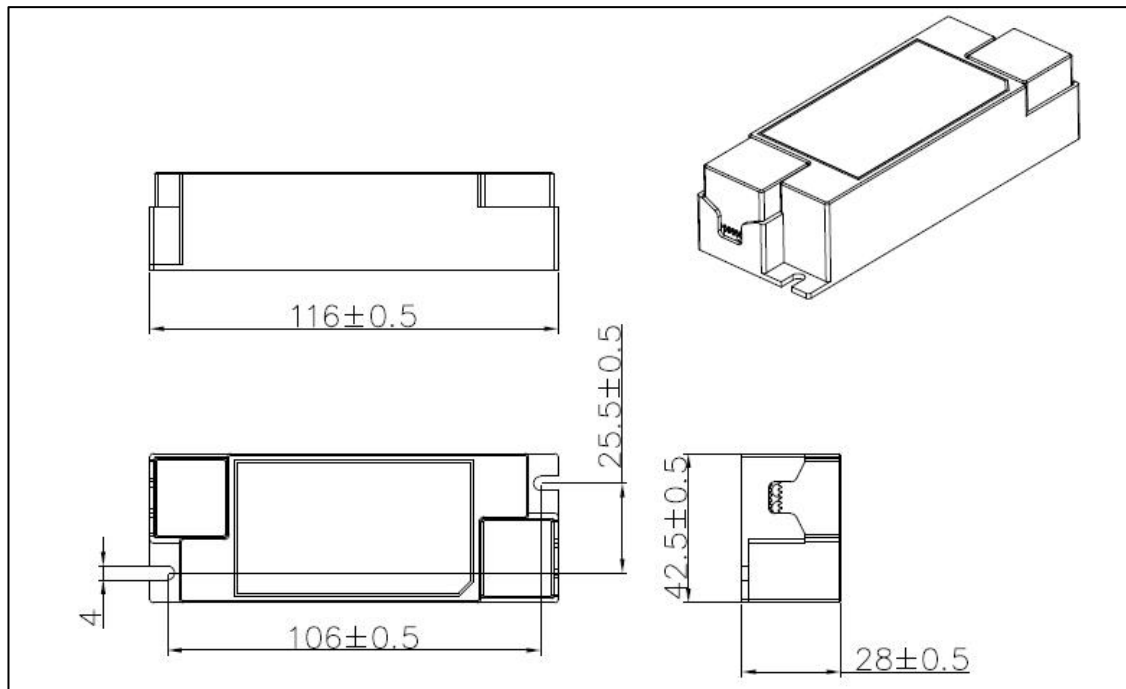


Remarks:

- 1.The number of drives mounted under different MCBs in the table is the maximum value. Please do not exceed this number during installation.
- 2.Different brands and models of miniature circuit breakers, the number of drives mounted will be slightly different.

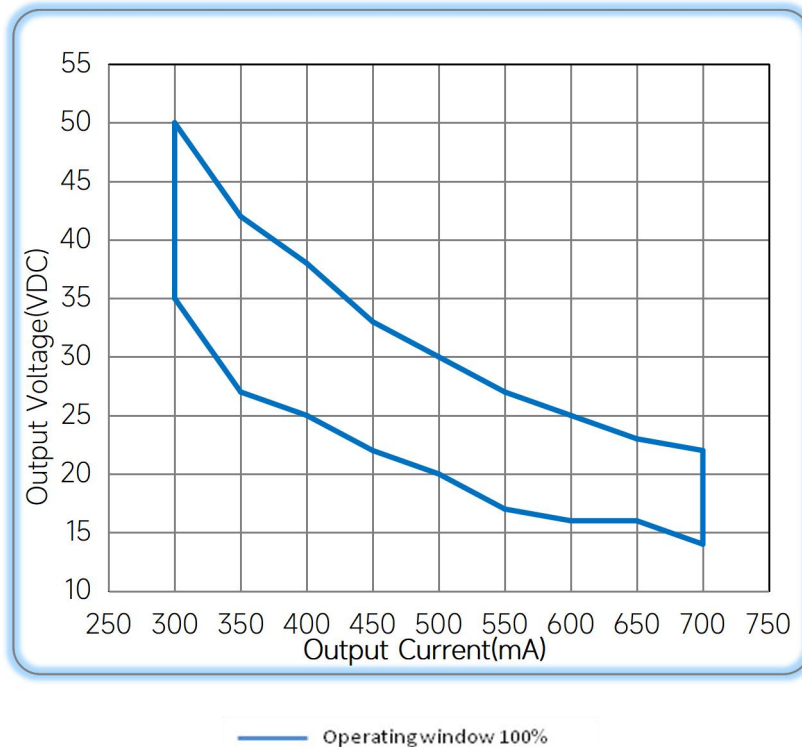
◆ Wiring diagram



◆ 2D diagram

◆ Wiring & Connections

Specification item		Value (Unit)
Input	Input wire cross-section	0.75...1.5 mm ²
	Input wire gauge.	16...20 AWG
	Input wire strip length	7...9mm
Output	Output wire cross-section	0.5...1.5 mm ²
	Output wire gauge.	16...20 AWG
	Output wire strip length	7...9mm

◆ **Operating window**



◆ **Revision Updates**

ITEM	BEFORE	AFTER	VERSION	DATE
Initial			A	2022/05/15

Tel: +86-0757-86256822, +86-0757-86256831

E-mail: sales@eaglerise.com

Website : <https://lighting.eaglerise.com>



EAGLERISE



Manual